

McCULLOCH®

PARTNER

ILLUSTRATED PARTS LIST

MAC 538-540

PREFIX 03

MAC 545

PREFIX 01

CALIFORNIA 2000

PREFIX 03

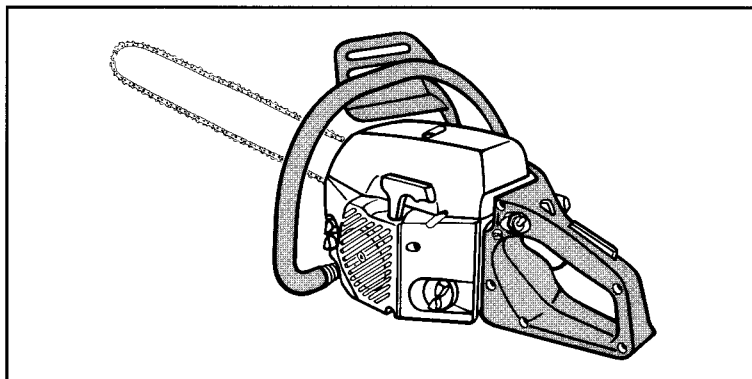
EUROMAC S42-S45

PREFIX 03

PARTNER P538

PREFIX 03

CE



March 2000

B Kit gasket PN 247249 (*-58-60-74-78-106-125)
 B Kit guarnizioni PN 247249 (*-58-60-74-78-106-125)
 B Kit joint PN 247249 (*-58-60-74-78-106-125)
 B Kit dichtung PN 247249 (*-58-60-74-78-106-125)

C	1	241235	McCulloch	1	B	81	241238	1
C		241856		1		81 A	240334 M4x40	2
	2	● 240288		1		82	240262	1
	3	● 240287	McCulloch	1		83	235248	2
		● 241857		1		84	235216	2
B	4	● 240311		1		85	241239	2
	5	● 227349		1	B	85 A	240263	1
	6	● 240326		1		86	240322	2
	7	● 227351		1		87	241236 38-40cc Mac	1
	8	● 227352		1			240871 46cc Mac	1
	9	● 240928		1			241250 California	1
	10	● 240929		1			241515 Euromac	1
	11	● 240690		1			241931 Partner	1
	12	● 227521		1	88	● 240320		1
	13	● 229394		1	89	● 240321		1
	14	● 227524		1	90	● 236936		1
	15	● 235367		1	91	● 240272		1
	16	● 235811		1	93	240291		1
	17	● 240863		2	94	● 240297		1
	18	● 235500		2	95	● 236981		2
	19	● 227259		1	96	240299		1
A	21	235217		2	97	236997 M5x30		2
C	22	240339		1	98	227626		2
C	23	● 240301		1	99	227567 M5x70		2
C	24	● 240302		1	C	101	240873	1
	25	● 240303		1		102	247757	1
C	26	● 240367		1		103	● 235899	1
	27	● 240862		5	C	104	● 228872	1
	28	229524		1		105	● 235900	1
C	29	240859		1		105A	● 236728	1
	30	227259		1		105B	● 241597	2
	31	240845 M5x16		1		106	240312	1
C	32	247259		1		107	241255 38-40cc	1
	33	240315		2			241256 46cc	1
	34	235248		2	C	108	● 235742 38-40cc	1
	35	235802 M5x14		2			● 227329 46cc	1
	36	235806 M5x20		2	C	109	227631	1
	37	240281		1		110	235672	1
B	38	241231 38-40cc		1		111	247758	1
B		240289 46cc		1		112	● 241253	1
B	39	240285		1	C	113	● 228872	1
	40	240354		1	B	114	● 241516 M6/M6	2
	41	235248		1		117	227259	1
	42	235802 M5x14		1		118	235806 M5x20	1
	43	235248		1	A	119	240317	1
	44	235803 M5x25		1	B	120	● 229208	1
	45	227259		1	B	121	● 240205	1
	46	235802 M5x14		1	B	122	● 240318 M5x65	1
C	47	240336 McCulloch		1		123	235642	1
		241933		1		124	240310	1
	48	● 240316 M5x35		1		125	240333	1
	49	● 240921		1		126	240309	1
	50	● 229208		1	C	127	240363	1
	51	● 240884		1	B	128	240286	1
B	52	● 235372		1		130	241227	1
A	53	● 235042		1		132	240920	1
B	54	● 235040		1		133	● 240300	1
	55	235248		3	B	134	● 240868	1
	56	236997 M5x30		3	C	135	● 235675	1
B	57	235552		1	A	136	● 240452	1
C	58	● 235511		1	C	137	● 227582	1
B	59	241234		1		138	● 229716	1
C	60	● 235510		1		139	241099	1
	61	247290		1	B	141	240260 3/8"	1
	62	● 240358		3		142	240323	1
	63	235218		1		143	241275	1
	64	241204		1		144	241285	2
B	65	● 235516		2		145	229250 M5x8	1
B	66	● 235517		2		146	236997 M5x30	4
B	67	● 235518		2	B	147	241100	1
C	68	241291		1	C	148	● 228854	1
C	69	● 240370		1		149	● 240308	1
C	70	FIGURE 2				150	● 240874	1
	71	227565 M5x25		4	C	151	225062	1
	72	236934		1		152	241272	1
A	73	92879		1	C	153	241274	1
B	74	240345		1	B	154	● 240926	3
	75	240271 38-40cc		1		155	● 227359	3
		240261 46cc		1		156	● 241273	1
	76	236997 M5x30		2		157	235248	1
	77	236529		2		158	228139	1
A	78	227692		1		159	241162	1
C	79	FIGURE 3				160	241984	1
	80	240328		2				

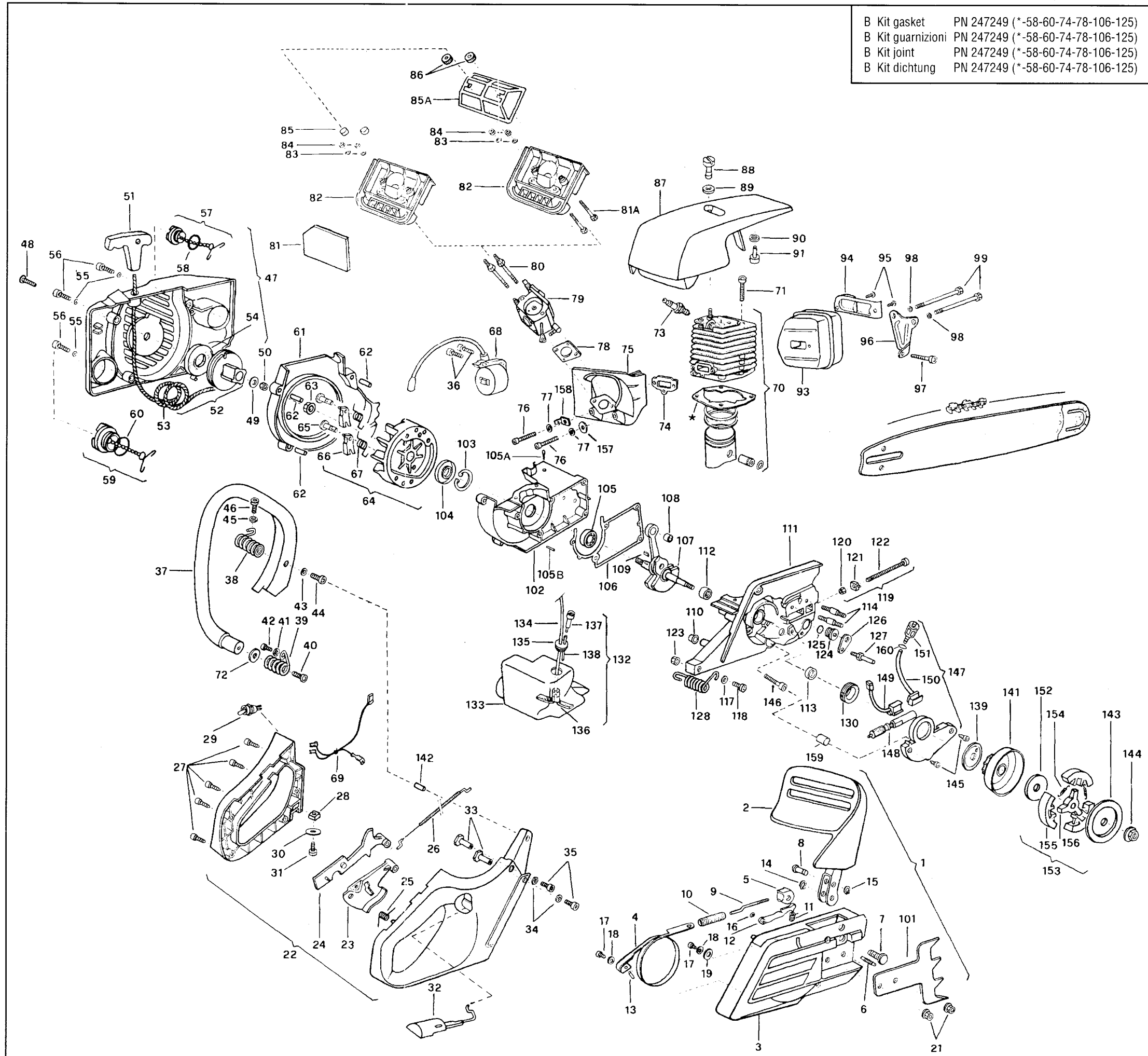


FIGURE 1

A = high moving - alta rotazione - haute demande - große Nachfrage
 B = medium moving - media rotazione - moyenne demande - mittelmäßige Nachfrage
 C = slow moving - bassa rotazione - basse demande - wenige Nachfrage

	38 cc	<table border="0"> <tr><td>C</td><td>1</td><td></td><td>247253</td><td>1</td></tr> <tr><td>B</td><td>2</td><td>•</td><td>240343</td><td>1</td></tr> <tr><td>C</td><td>3</td><td>•</td><td>247256</td><td>1</td></tr> <tr><td></td><td>4</td><td>••</td><td>235008</td><td>2</td></tr> <tr><td>B</td><td>5</td><td>••</td><td>240005</td><td>2</td></tr> </table>	C	1		247253	1	B	2	•	240343	1	C	3	•	247256	1		4	••	235008	2	B	5	••	240005	2
	C	1		247253	1																						
	B	2	•	240343	1																						
C	3	•	247256	1																							
	4	••	235008	2																							
B	5	••	240005	2																							
40 cc	<table border="0"> <tr><td>C</td><td>1</td><td></td><td>247254</td><td>1</td></tr> <tr><td>B</td><td>2</td><td>•</td><td>240343</td><td>1</td></tr> <tr><td>C</td><td>3</td><td>•</td><td>247257</td><td>1</td></tr> <tr><td></td><td>4</td><td>••</td><td>235008</td><td>2</td></tr> <tr><td>B</td><td>5</td><td>••</td><td>240085</td><td>2</td></tr> </table>	C	1		247254	1	B	2	•	240343	1	C	3	•	247257	1		4	••	235008	2	B	5	••	240085	2	
C	1		247254	1																							
B	2	•	240343	1																							
C	3	•	247257	1																							
	4	••	235008	2																							
B	5	••	240085	2																							
46 cc	<table border="0"> <tr><td>C</td><td>1</td><td></td><td>247255</td><td>1</td></tr> <tr><td>B</td><td>2</td><td>•</td><td>240343</td><td>1</td></tr> <tr><td>C</td><td>3</td><td>•</td><td>247258</td><td>1</td></tr> <tr><td></td><td>4</td><td>••</td><td>229544</td><td>2</td></tr> <tr><td>B</td><td>5</td><td>••</td><td>240353</td><td>1</td></tr> </table>	C	1		247255	1	B	2	•	240343	1	C	3	•	247258	1		4	••	229544	2	B	5	••	240353	1	
C	1		247255	1																							
B	2	•	240343	1																							
C	3	•	247258	1																							
	4	••	229544	2																							
B	5	••	240353	1																							

FIGURE 2

WALBRO WT 414				
C	-		240350	carbur.
B	1	•	247260	1
A	2	••	229191	1
	3	•	247261	1
	4	•	237481	1
	5	•	247388	H 1
	6	•	246540	L 1
	7	•	229601	2
C	8	•	247387	1

FIGURE 3

A = high moving - alta rotazione - haute demande - große Nachfrage
 B = medium moving - media rotazione - moyenne demande - mittelmäßige Nachfrage
 C = slow moving - bassa rotazione - basse demande - wenige Nachfrage